

Manual Desiccant Dryers

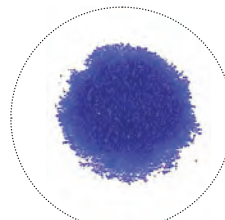
Features:

- *Lowest initial cost of any type dryer*
- *Low pressure drops of less than 1 PSIG*
- *Easily and quickly serviced*
- *Color change of indicating silica gel or moisture indicators provide an instant status of the compressed air system*
- *No power required*
- *Units are small, lightweight and easy to install*
- *Color-change silica gel and 4A can be regenerated for reuse*

Typical Applications:

- *Point-of-Use*
- *Air Brushing*
- *Laboratory Instruments*
- *Antenna Pressurization*
- *Dry Sprinkler Systems*
- *Small Control Air Systems*
- *Pneumatic Automation*
- *Waveguide Pressurization*

X-Series manual desiccant dryers offer the most cost effective method to remove moisture from very low flow compressed air systems or those which are only used infrequently. Atmospheric dew points as low as -100°F (-73°C) are obtainable with units available for flows up to 25 SCFM. These dryers are an excellent choice for point-of-use applications such as paint spraying, laboratory instruments and small control air systems.



Silica Gel



4A Molecular Sieve

Specifications

Model Number	X06-Transparent Bowl	X03-Transparent Bowl	X03-Metal Bowl	X04-Transparent Bowl	X25-Metal Bowl
Maximum Pressure	150 psig	150 psig	150 psig	150 psig	150 psig
Maximum Temperature	125°F	125°F	150°F	125°F	150°F
Maximum Continuous Airflow	5 SCFM	10 SCFM	10 SCFM	10 SCFM	25 SCFM
Total Airflow*	600 SCF	4400 SCF	3168 SCF	4400x2 SCF	11,000 SCF
Weight with Desiccant	1.13 lbs.	7.4 lbs.	6.8 lbs.	15.0 lbs.	11.2 lbs.
Weight Desiccant (Alone)	0.25 lbs.	1.8 lbs.	1.3 lbs.	3.6 lbs.	4.4 lbs.
Total Minutes of Operation @ Max Continuous Airflow	120 min.	440 min.	316 min.	880 min.	440 min.

* With Dry Desiccant at 100 psig and 70°F, Saturated Inlet (100% RH)

Silica gel media provides dry air to -45°F atmospheric dew point. Media can be regenerated @ 350°F.

4A molecular sieve media provides dry air to -100°F atmospheric dew point. Media can be regenerated @ 600°F.

Ordering Information

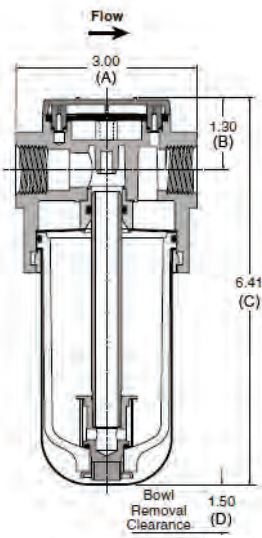
MODEL	SILICA GEL	4A	TRANSPARENT BOWL	METAL BOWL	PORT SIZE
X06-02-000	X		X		1/4" NPT
X06-02-U00		X	X		1/4" NPT
X03-02-000	X		X		1/4" NPT
X03-02-M00**	X			X	1/4" NPT
X03-02-MU0**		X		X	1/4" NPT
X03-02-U00		X	X		1/4" NPT
X03-04-000	X		X		1/2" NPT
X03-04-M00**	X			X	1/2" NPT
X03-04-MU0**		X		X	1/2" NPT
X03-04-U00		X	X		1/2" NPT
X04-02-000	X		X		1/4" NPT
X04-02-M00**	X			X	1/4" NPT
X04-02-U00		X	X		1/4" NPT
X25-04-000	X			X	1/2" NPT
X25-04-U00		X		X	1/2" NPT

**Moisture indicator kit is recommended P/N DRP-95-623

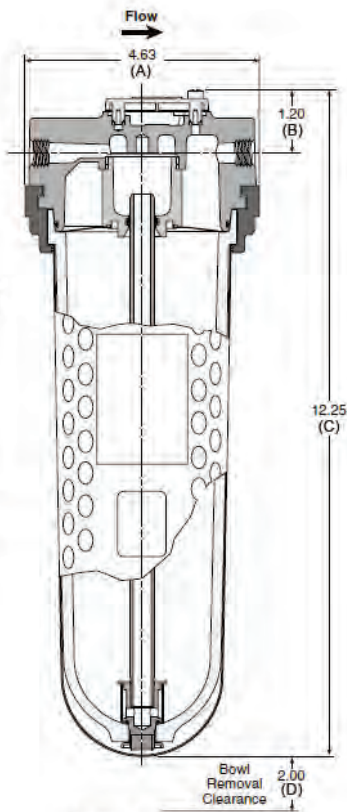
Replacement parts and fill media is available.

Dimensions

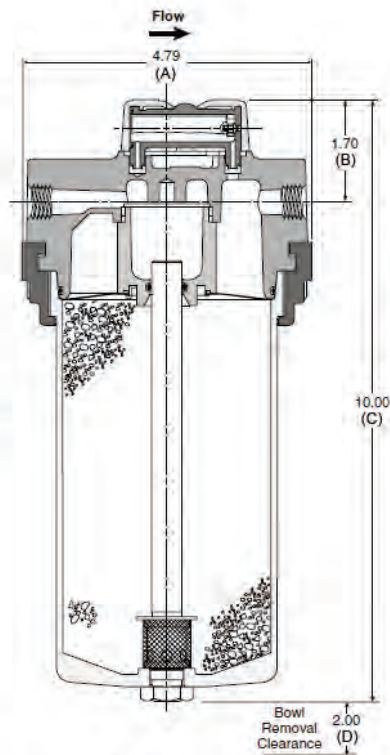
MODEL	A	B	C	D
X06 Transparent Bowl	3.00"	1.30"	6.41"	1.50"
X03 / X04 Transparent Bowl	4.63"	1.20"	12.25"	2.00"
X03 / X04 Metal Bowl	4.79"	1.70"	10.00"	2.00"
X25 Metal Bowl	4.79"	1.70"	21.28"	2.00"



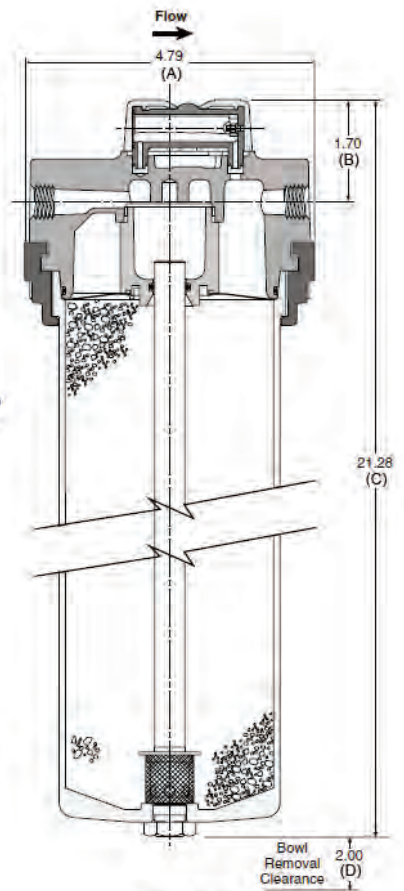
**Model X06
Transparent Bowl**



**Model X03 / X04
Transparent Bowl**



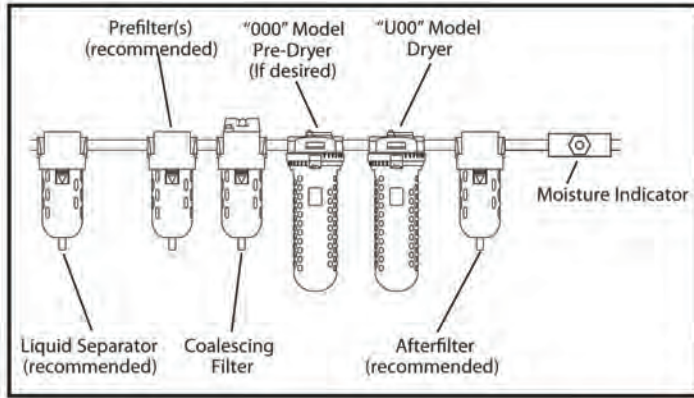
**Model X03 / X04
Metal Bowl**



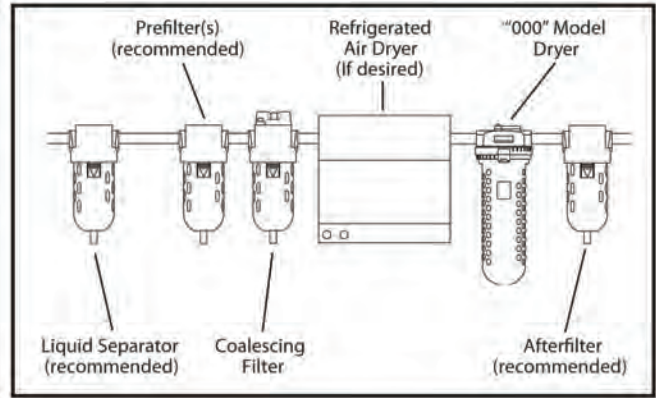
**Model X25
Metal Bowl**

Typical Insatllation Arrangement for Manual Dryers

“U00” / “MU0” Models:

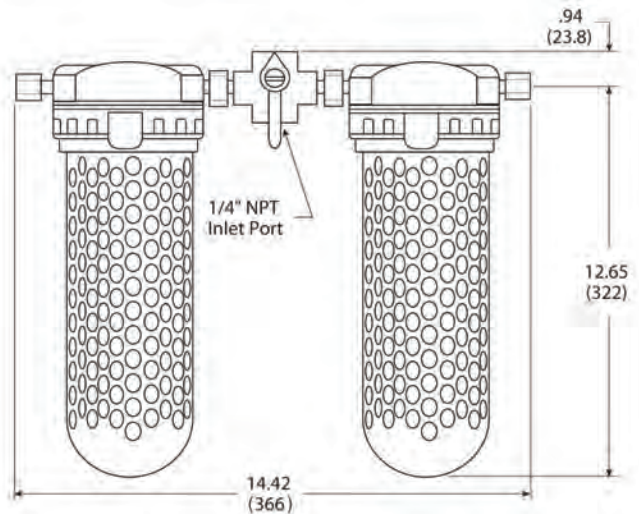
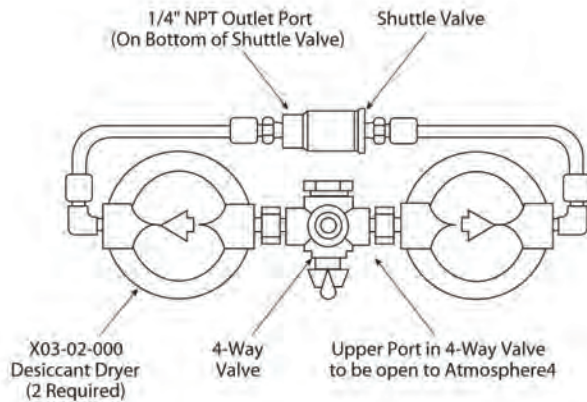


“000” / “M00” Models:



X04-02-000 Dryer

Model X04-02-000 consists of (2) X03 manual desiccant dryers piped together with 4-way valve and shuttle valve. Turning the valve lever, the user can simply select one dryer while isolating the other, allowing continuous operation during maintenance.



For additional information please go to our web site @ airdryers.com



PUREGAS, LLC
 226A Commerce St.
 Broomfield, CO 80020
 Tel 800-700-8537
 Fax 303-465-9294
sales@airdryers.com