

## Compressed Air Filters & Water Separators 6 to 1500 SCFM

Altec AIR's A Series High Efficiency Compressed Air Filters feature particle retention of up to 99.999% and significantly reduced pressure loss, providing total protection of manufacturing equipment from dust carryover. Our Compressed Air Filters have been tested to provide a saturated differential pressure of <1.8 psi (125 mbar) across X1 and XA grades - proving to be our most advanced filter to date.

Our A Series Water Separators combine proven centrifugal technology with a new forward thinking housing design to deliver market leading water removal efficiencies – eliminating up to 99% bulk water with continuously low differential pressure.

- Flexible Installation - Modular design and accessible fixings enable simple close coupling assembly
- Market Leading Performance - Custom engineered filtration media delivers optimum performance in line with air quality standard ISO 8573-1: 2010
- Simplified Serviceability - Profiled bowl design and push fit elements ensure quick and reliable maintenance
- Externally Accessible Drain Valves - Unique easy access drain can be removed externally and is standard on all models
- Color Coded Element End Caps - Easy and accurate grade identification



### FEATURES

- Connection Sizes ranging from 1/8" to 3" NPT
- Differential Pressure Indicators -
  - Pop-up Indicators on A\*-0025 - A\*-0050
  - Gauge Indicators on A\*-0075 - A\*-1500
- Filter Drains -
  - Automatic Float Drains on (AC) Coalescing Filters & (AW) Water Separators
  - Manual Drains on (AP) Particulate Filters
- Fully compliant with international approvals - CRN

### OPTIONS

- \*\*Grade X5 - 5 micron Particulate & Coalescing
- \*\*Grade X1 - 1 micron Particulate & Coalescing
- \*\*Grade XA - 0.01 micron Particulate & Coalescing
- \*\*Grade AC - 0.01 micron Activated Carbon

[www.AltecAIR.com](http://www.AltecAIR.com)  
800.521.5351

  
A SERIES COMPRESSED AIR  
FILTERS & WATER SEPARATORS

## COALESCING & PARTICULATE FILTERS

	A*-0006**	A*-0015**	A*-0025**	A*-0032**	A*-0050**
Flow Capacity (SCFM @ 100 PSIG)	6	15	25	32	50
Connection (NPT)	1/8"	1/4"		3/8"	1/2"
Maximum Working Pressure	Coalescing w/ Automatic Drains - 232 PSIG (16 barg) Particulate w/ Manual Drains - 300 PSIG (20.7 barg)				
Maximum Temperature	Coalescing w/ Automatic Drains - 176°F (80°C) Particulate w/ Manual Drains - 248°F (120°C)				
Diff. Pressure Indicator Type	None		Pop-up Indicator		
Replacement Filter Element	E00060015**		E00250032**		E00500000**



	A*-0070**	A*-0085**	A*-0105**	A*-0125**	A*-0175**	A*-0280**	A*-0320**
Flow Capacity (SCFM @ 100 PSIG)	70	85	105	125	175	280	320
Connection (NPT)	1/2"	3/4"	1"	3/4"	1"	1-1/4"	1-1/2"
Maximum Working Pressure	Coalescing w/ Automatic Drains - 232 PSIG (16 barg) Particulate w/ Manual Drains - 300 PSIG (20.7 barg)						
Maximum Temperature	Coalescing w/ Automatic Drains - 176°F (80°C) Particulate w/ Manual Drains - 248°F (120°C)						
Diff. Pressure Indicator Type	Indicator Gauge						
Replacement Filter Element	E00700105**			E01250175**		E02800320**	

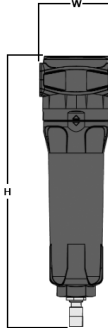
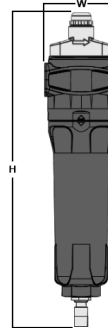
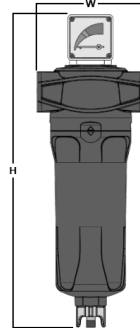
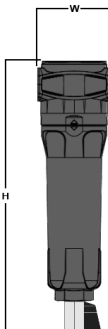
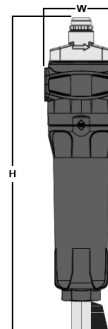
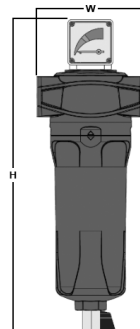
	A*-0400**	A*-0450**	A*-0700**	A*-0850**	A*-0900**	A*-1250**	A*-1500**
Flow Capacity (SCFM @ 100 PSIG)	400	450	700	850	900	1250	1500
Connection (NPT)	1-1/2"	2"		2-1/2"	3"		
Maximum Working Pressure	Coalescing w/ Automatic Drains - 232 PSIG (16 barg) Particulate w/ Manual Drains - 300 PSIG (20.7 barg)						
Maximum Temperature	Coalescing w/ Automatic Drains - 176°F (80°C) Particulate w/ Manual Drains - 248°F (120°C)						
Diff. Pressure Indicator Type	Indicator Gauge						
Replacement Filter Element	E04000450**	E07000000**		E08500900**		E12500000**	E15000000**

\* Indicates either C for Coalescing or P for Particulate reverse flow

\*\* Indicates Grade (X5, X1, XA, AC)



## COALESCING & PARTICULATE FILTERS

DIMENSIONS (APPROX.)		Weight lbs (kg)	Height in (mm)	Width in (mm)	Depth in (mm)			
	A*-0006**	0.6 (0.3)	7.68" (196)	1.97" (50)	1.26" (32)			
	A*-0015**							
	A*-0025**							
	A*-0032**	1.3 (0.6)	13.39" (341)	2.76" (70)	1.73" (44)			
	A*-0050**							
	A*-0070**							
	A*-0085**	3.7 (1.7)	15.52" (395)	5.00" (127)	2.36" (60)			
	A*-0105**							
	A*-0125**	4.4 (2.0)	18.87" (480)	5.51" (140)	3.15" (80)			
	A*-0175**							
	A*-0280**	6.6 (3.0)	23.04" (586)	6.69" (170)	3.93" (100)			
	A*-0320**							
	A*-0400**	10.8 (4.9)	24.30" (618)	8.66" (220)	5.51" (140)			
	A*-0450**							
	A*-0700**	12.1 (5.5)	32.17" (818)					
	A*-0850**	23.1 (10.5)	33.27" (846)					
	A*-0900**	25.4 (11.5)	38.04" (967)					
	A*-1250**	27.6 (12.5)	43.86" (1115)					
A*-1500**								

## FILTER ELEMENT CLASSES\*\*

	X5	X1	XA	AC
Particle Removal	5 micron	1 micron	0.01 micron	0.01 micron
Maximum Particle Size Class*	4	3	1	1
Maximum Oil Content	4	3	1	1
Max Oil Carryover at 68°F (20°C)	5 ppm (5 mg/m <sup>3</sup> )	0.3 ppm (0.3 mg/m <sup>3</sup> )	0.01 ppm (0.1 mg/m <sup>3</sup> )	0.003 ppm (0.003 mg/m <sup>3</sup> )
Pressure Loss: Clean & Dry (PSI)	0.6 psi (40 mbar)	0.8 psi (55 mbar)	1.2 psi (85 mbar)	1.7 psi (115 mbar)
Pressure Loss: Saturated (PSI)	1.1 psi (75 mbar)	1.8 psi (125 mbar)		-
Pressure Loss: Element Change (PSI)	8000 hours / 12 months			1000 hours / 6 months
Maximum Temperature	Coalescing w/ Automatic Drains - 176°F (80°C) Particulate w/ Manual Drains - 248°F (120°C)			122°F (50°C)**
Maximum Working Pressure	Coalescing w/ Automatic Drains - 232 PSIG (16 barg) Particulate w/ Manual Drains - 300 PSIG (20.7 barg)			
Element End Cap Color	Green	Red	Blue	Black



\* To ISO 8573-1:2010

\*\* Maximum recommended operating temperature 77°F (25°C)

# A Series

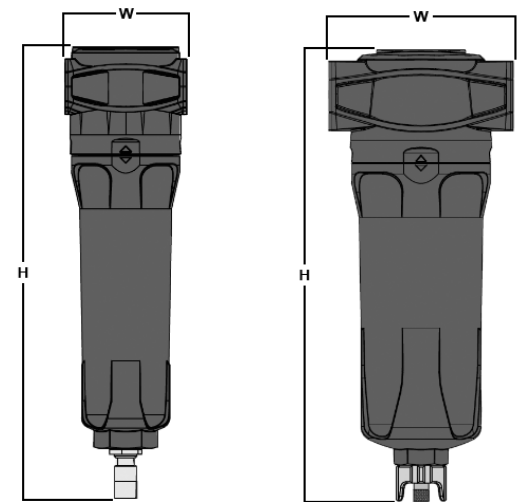
## WATER SEPARATORS

	AW-0006	AW-0015	AW-0025	AW-0032	AW-0050	
SPECIFICATIONS	Flow Capacity (SCFM @ 100 PSIG)	6	15	25	32	50
	Connection (NPT)	1/8"	1/4"		3/8"	1/2"
	Maximum Working Pressure	232 PSIG (16 barg)				
	Min / Max Operating Temperature	34°F (1°C) / 176°F (80°C)				
	Typical Pressure Loss @ Rated Flow	0.8 psi (55 mbar)				



	AW-0070	AW-0125	AW-0175	AW-0280	AW-0320	AW-0400	AW-0700	AW-0850	AW-1500	
SPECIFICATIONS	Flow Capacity (SCFM @ 100 PSIG)	70	125	175	280	320	400	700	850	1500
	Connection (NPT)	1/2"	3/4"	1"	1-1/4"	1-1/2"		2"	2-1/2"	3"
	Maximum Working Pressure	232 PSIG (16 barg)								
	Min / Max Operating Temperature	34°F (1°C) / 176°F (80°C)								
	Typical Pressure Loss @ Rated Flow	0.8 psi (55 mbar)								

	Weight lbs (kg)	Height in (mm)	Width in (mm)	Depth in (mm)
AW-0006	0.6 (0.3)	7.28" (185)	1.97" (50)	1.26" (32)
AW-0015				
AW-0025				
AW-0032	1.3 (0.6)	10.19" (259)	2.76" (70)	1.73" (44)
AW-0050				
AW-0070		12.92" (327)		
AW-0125	3.7 (1.7)	16.27" (412)	5.00" (127)	2.36" (60)
AW-0175				
AW-0280	6.6 (3.0)	20.44" (518)	5.51" (140)	3.15" (80)
AW-0320				
AW-0400	10.8 (4.9)	21.70" (550)	6.69" (170)	
AW-0700		29.57" (750)		
AW-0850				3.93" (100)
AW-1500	17.6 (8.0)	18.24" (462)	8.66" (220)	



AW-0006 - AW-0050

AW-0070 - AW-1500

For more complete information on Altec AIR products and services, visit us on the web at [www.AltecAIR.com](http://www.AltecAIR.com). Material and specifications are subject to change without notice. Featured units in photos may include optional features. Please contact an Altec AIR representative for all available options. Altec AIR logo is a registered trademarks of Altec Inc. in the United States and various other countries and may not be used without permission. © 2020 Altec AIR. All Rights Reserved. SPEC-A-Series-0221