



TABLE OF CONTENTS

| | | |
|------------|---|------|
| SECTION 1 | General Information: Model Description Serial Numbers Description of Operation | Pg 2 |
| SECTION 2 | Safety Instructions: Installation Safety Operation Safety | Pg 3 |
| SECTION 3 | Specifications: Flows, Connections, Dimensions, and Weights | Pg 3 |
| SECTION 4 | Installation Parts Included Location Install Filters Mounting Electrical Connections Piping and Connections | Pg 4 |
| SECTION 5 | Start-Up | Pg 5 |
| SECTION 6 | Maintenance | Pg 5 |
| SECTION 7 | Replacement Parts | Pg 6 |
| SECTION 8 | Troubleshooting Guide | Pg 7 |
| SECTION 9 | Wiring Diagram | Pg 8 |
| SECTION 10 | Warranty / Claims | Pg 8 |

SECTION 1 - GENERAL INFORMATION

1.1 MODEL DESCRIPTION

The CO2-PG28 Purge Gas Generator is designed to remove water and CO₂ from a compressed air stream. This is done by

SECTION 2 - SAFETY INSTRUCTIONS

2.1 INSTALLATION SAFETY

Before starting or installing the CO2-PG28 Purge Gas Generator, be sure that all power to the unit is off, valves are shut, and the air circuit is at atmospheric pressure. DO NOT remove, repair, or replace any component, control filter, or part, while the unit is energized or the air circuit is under pressure. Unplug unit and de-pressurize the unit before starting installation or maintenance procedures.

The CO2-PG28 is rated NEMA 1.

2.2 OPERATION SAFETY

DO NOT OPERATE THE CO2-PG28 PURGE GAS GENERATOR AT COMPRESSED AIR PRESSURES ABOVE 150 PSIG. UNIT FAILURE, INJURY AND EQUIPMENT DAMAGE COULD RESULT

CAUTION:

EXCEPT as otherwise specified by the manufacturer, this product is specifically designed for compressed air service and use with any other gas or liquid is a misapplication. Manufacturer's warranties are void in the event of a misapplication and manufacturer assumes NO RESPONSIBILITY for any resulting loss.

Before using equipment with fluids or gases other than air, consult Altec AIR for written approval.

SECTION 3 - SPECIFICATIONS

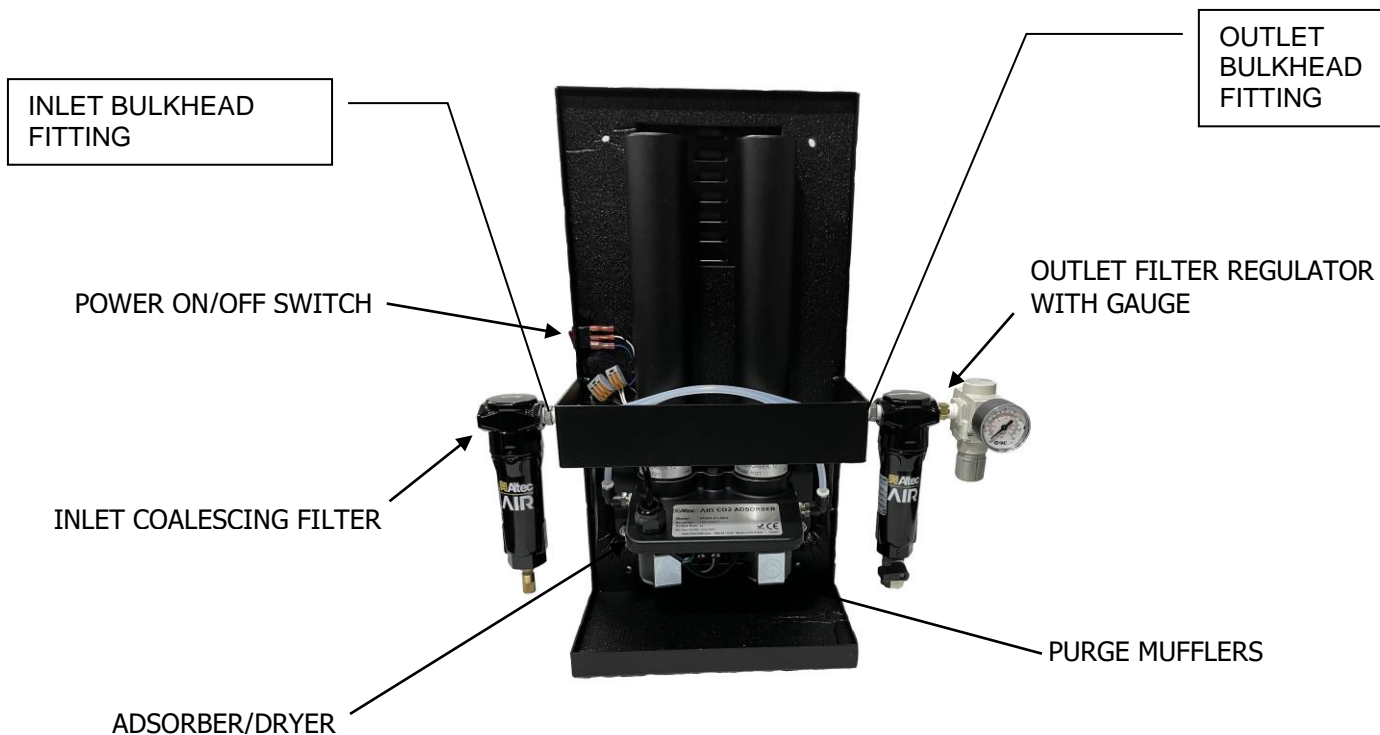
3.1 FLOWS, CONNECTIONS, DIMENSIONS, AND WEIGHT

| MODEL NO. | CO2-PG28 |
|--|----------|
| Max Flow Capacities at 125 PSIG (L/M) | |
| Inlet Flow | 48 |
| Purge Flow | 16 |
| Outlet Flow | 32 |
| Connections (NPT) | |
| Inlet | 1/4 |
| Outlet | 1/4 |
| Dimensions (Inches) | |
| Height | 19.2 |
| Width | 17.2 |
| Depth | 6.2 |
| Weight (Pounds) | 20 |

TABLE 1

| OUTLET FLOW CAPACITIES AT VARIOUS INLET PRESSURES WITH PURGE ORIFICE REQ'D | | |
|--|---------|-------------|
| PSIG | lit/min | orifice no. |
| 150 | 37.8 | 18 |
| 140 | 35.5 | 18 |
| 130 | 33.2 | 18 |
| 120 | 30.5 | 18 |
| 110 | 25.5 | 20 |
| 100 | 23.1 | 20 |
| 90 | 19.5 | 20 |
| 80 | 16.6 | 22 |
| 70 | 13.3 | 24 |
| 60 | 9.8 | 26 |
| 50 | 5.7 | 26 |

Note: Outlet flows shown above are maximum capacities and should not be exceeded for best performance. No outlet flow metering valve or flow meter is installed on the adsorber/dryer and must be provided by the user. Purge flow is metered by integral fixed purge orifices. Capacities are based on inlet conditions of 70°F, 100%RH, normal ambient CO₂ levels of approx 375-400 ppm. Outlet concentration of CO₂ will be less than 1 ppm and outlet dew point better than -100°F. If your flow, temperature or pressure are different from above, consult factory for performance. **Unless otherwise specified, a #18 orifice set has been installed as standard.**



SECTION 4 - INSTALLATION

4.1 PARTS INCLUDED

- (1) CO2-PG28 Purge Gas Generator
- (1) Inlet Coalescing Filter Assy.
- (1) Outlet Filter Regulator Assy.
- (1) Operations & Maintenance Manual

4.2 LOCATION

DO NOT INSTALL THE UNIT IN AN ENVIRONMENT OF CORROSIVE CHEMICALS, EXPLOSIVE GASES, OR AREAS OF HIGH OR LOW AMBIENT TEMPERATURE (ABOVE 125°F OR BELOW 33°F).

Install the unit indoors. Unit may be wall mounted or placed on a table top.

4.3 INSTALL FILTERS

A coalescing filter is provided to be installed on the inlet to the adsorber/dryer to remove entrained particulates, liquid moisture and oil which can cause damage to the desiccant beds. A particulate afterfilter is provided to be installed on the outlet of the adsorber/dryer to remove any adsorbent media dust that may migrate from the desiccant beds.

Using a wrench to keep inlet bulkhead fitting from turning, install Inlet Filter Assy to left side of unit as shown in figure above. Similarly, install Outlet Filter Regulator Assy to Right Side of unit.

4.4 MOUNTING

1. Table top
 - a. The unit comes with rubber feet installed on bottom of cabinet for use on table top.
2. Wall mounting
 - a. Remove (6) cover screws and remove cover. While a helper holds the unit at the mounting location, mark the position of the (4) mounting holes at the back of the cabinet. Mount the cabinet using these mounting holes. Be sure to use proper wall mounting anchors if mounting in drywall.
 - b. Reinstall cover.

4.5 ELECTRICAL CONNECTIONS

Before plugging in unit, check the unit nameplate for electrical characteristics. Standard electrical characteristics are 115 volt, 1 phase, 50/60 Hz. Models operating on 230 volts are available.

IMPORTANT!: No overload protection is provided in the adsorber/dryer and unit should be plugged/wired into a protected circuit.

4.6 PIPING AND CONNECTIONS

Inlet and outlet tubing should be appropriate for pressure and temperature of operation. See specification chart for inlet/outlet NPT thread size. Teflon tape should be used in the makeup of joints to ensure a good, airtight fit of piping components. Check all connections for leakage using soap solution prior to putting unit into service.

SECTION 5 - START UP

BEFORE UNIT START UP, FOLLOW THE INSTALLATION INSTRUCTIONS AND PROCEDURES COMPLETELY.

DO NOT REMOVE, REPAIR OR REPLACE ANY ITEM ON THE ADSORBER/DRYER WHILE THE ADSORBER/DRYER IS UNDER PRESSURE.

5.1 INITIAL START UPS

1. Confirm that all piping and electrical connections are proper.
2. Turn on the electrical power. Adsorber/dryer should start cycling with a small purge noise heard every 30 seconds.

SECTION 6 - MAINTENANCE

DO NOT REMOVE, REPAIR, OR REPLACE ANY ITEM ON THE ADSORBER/DRYER WHILE THE ADSORBER/DRYER IS UNDER PRESSURE.

BEFORE BEGINNING ANY REPAIRS, MAINTENANCE, OR INSTALLATION WORK, VERIFY THAT THE POWER IS OFF AND THE ADSORBER/DRYER IS DEPRESSURIZED.

BEFORE WORKING ON THE ADSORBER/DRYER OR RELATED EQUIPMENT, ENSURE THAT ALL PERSONNEL HAVE READ AND UNDERSTAND THE SAFETY AND OPERATION INSTRUCTIONS IN THIS MANUAL.

6.1 PREVENTIVE MAINTENANCE

Below is a suggested schedule based on average operating conditions. As conditions such as dirty environment, humidity conditions, ambient temperature, etc. change, the frequency of the inspections may need to be increased.

Daily

1. Inspect the adsorber/dryer for proper cycling.
2. Inspect inlet filter for proper drain operation.
3. Verify proper inlet pressure and ambient air temperature conditions.

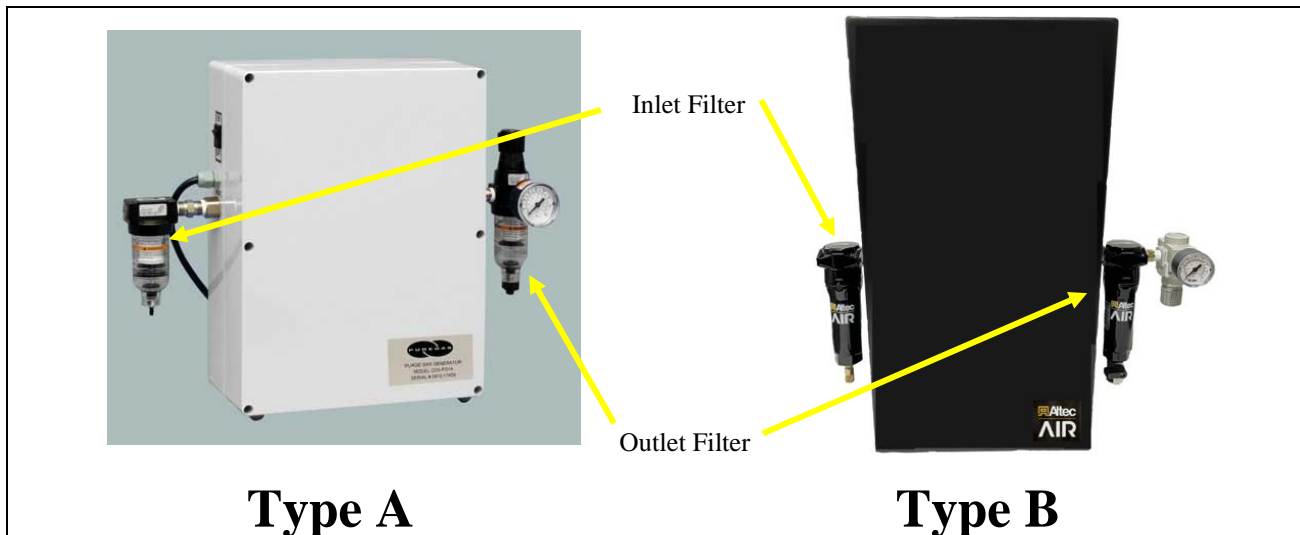
Semi-Annually

1. Inspect entire assembly for loose connections, screws, etc.

Annually

1. Replace inlet filter elements, outlet filter elements, and purge muffler [see below for correct type]:

| Inlet Filter | Element |
|-------------------------------------|-----------------------|
| Type A: # M18-02-CG00 | Type A: # MTP-96-646 |
| Type B: # AC-0015XA | Type B: # E00060015XA |
| Outlet Filter/Regulator | Element |
| Type A: # B03-02-G000 | Type A: # PS403 |
| Type B: # AP-0015X1 | Type B: # E00060015X1 |
| Type B: # P017358 (NIPPLE-P5000107) | |
| Purge Mufflers | |
| #10040 (qty 2) | |

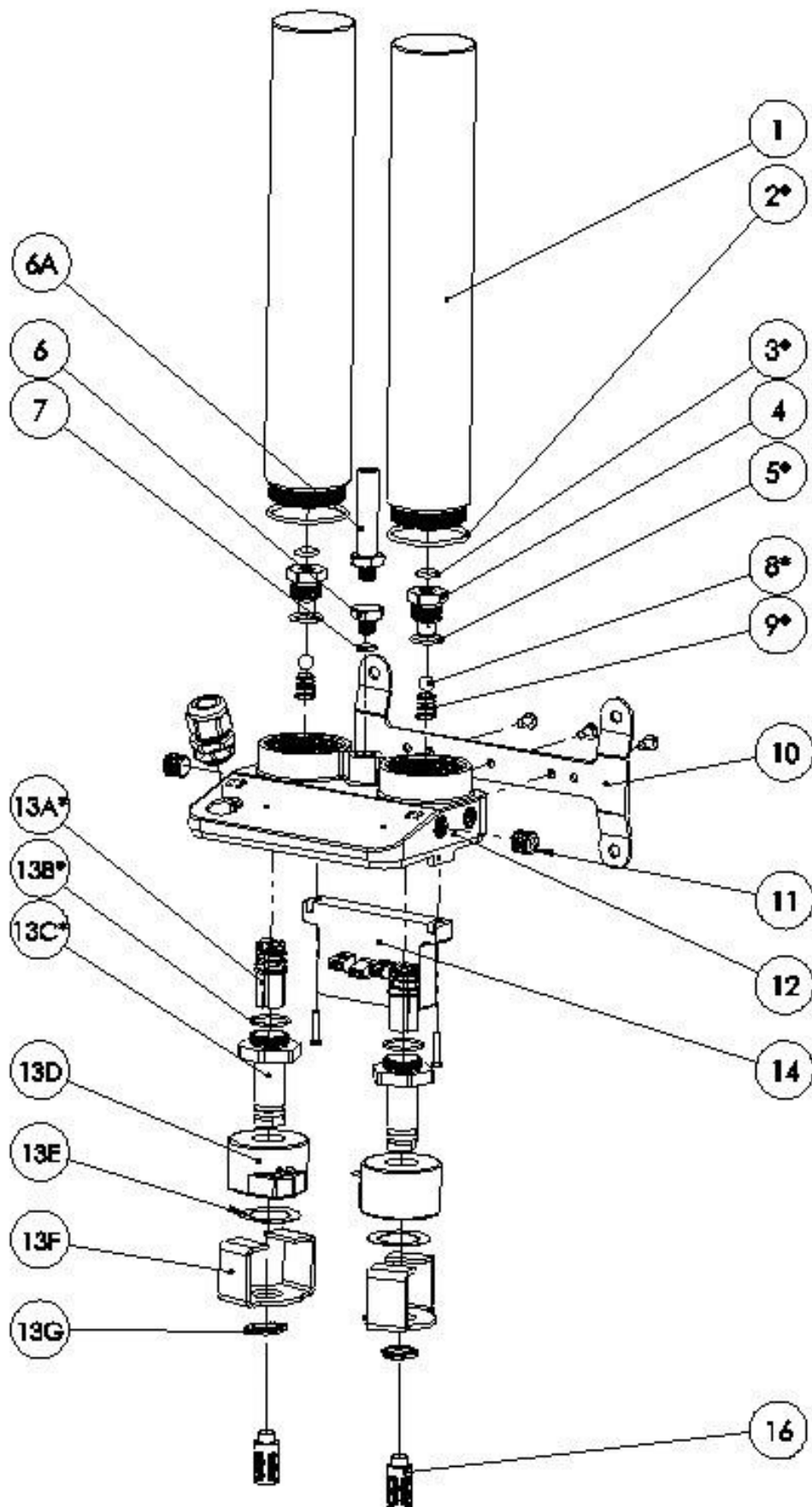


Filter Comparison to determine correct Replacement Part #s

SECTION 7 - REPLACEMENT PARTS

| Part Number | Description |
|--------------|---|
| Call Factory | POWER ON/OFF SWITCH |
| See Sec. 6.1 | OUTLET FILTER/REGULATOR WITH GAUGE |
| See Sec. 6.1 | - OUTLET FILTER ELEMENT ONLY |
| See Sec. 6.1 | - REGULATOR ONLY |
| See Sec. 6.1 | INLET FILTER WITH AUTO DRAIN |
| See Sec. 6.1 | - INLET FILTER ELEMENT ONLY |
| 20020 | POWER CORD (NOT SHOWN) |
| 10040 | MUFFLER, PURGE, 1/8 NPT, (ORDER QTY 2) |
| VCD3-12-0XX | ADSORBER/DRYER <i>INSERT ORIFICE NUMBER FOR XX (SEE TABLE 1 ON PAGE 3 FOR ORIFICES/FLOWS)</i> |

| Ref | Description | Part Number | Qty / Unit | Recommend Spare |
|------|--|-------------|------------|-----------------|
| 1 | DESICCANT TOWER, 12", VCD3, WITH O-RING | 51253 | 2 | |
| 2* | O-RING, TOWER | - | 2 | |
| 3* | O-RING, PURGE ORIFICE, INNER | - | 2 | |
| 4 | PURGE ORIFICE, #18 FOR 120 - 150 PSIG OPER. | 51315-18 | 2 | |
| | PURGE ORIFICE, #20 FOR 90 - 110 PSIG OPER. | 51315-20 | | |
| | PURGE ORIFICE, #22 FOR 80 PSIG OPER. | 51315-22 | | |
| | PURGE ORIFICE, #24 FOR 70 PSIG OPER. | 51315-24 | | |
| | PURGE ORIFICE, #26 FOR 50 - 60 PSIG OPER. | 51315-26 | | |
| 5* | O-RING, PURGE ORIFICE, OUTER | - | 2 | |
| 6 | PLUG, INDICATOR PORT, WITH O-RING | P010994F2 | 1 | |
| 6A | OPTIONAL MOISTURE INDICATOR, WITH O-RING | 51308 | 1 | |
| 7 | O-RING | - | 1 | |
| 8* | BALL, CHECK VALVE | P400375 | 2 | |
| 9* | SPRING, CHECK VALVE | P300507 | 2 | |
| 10 | BRACKET | P010437 | 1 | |
| 12 | MANIFOLD | P300495P | 1 | |
| 11 | PLUG, MANIFOLD | P07559 | 2 | |
| 13 | SOLENOID VALVE ASSY, 53VDC (FOR 115 VAC UNIT) | P400589DC1 | 2 | ✓(2) |
| | SOLENOID VALVE ASSY, 106VDC (FOR 230 VAC UNIT) | P400589DC2 | | |
| 13A* | CORE, SOLENOID VALVE | - | 2 | |
| 13B* | O-RING, SOLENOID VALVE | - | 2 | |
| 13C* | BASE, SOLENOID VALVE | - | 2 | |
| 13D | COIL, SOLENOID VALVE | - | 2 | |
| 13E | SPRING WASHER, SOLENOID VALVE | - | 2 | |
| 13F | FRAME, SOLENOID VALVE | - | 2 | |
| 13G | RETAINING RING, SOLENOID VALVE | - | 2 | |
| 14 | TIMER, CYCLE | P010530F1 | 1 | ✓(1) |
| 16 | MUFFLER | 10040 | 2 | ✓(2) |
| 17 | MAINTENANCE KIT (INCLUDES STARRED (*) ITEMS) | P200499S | 1 | ✓(1) |



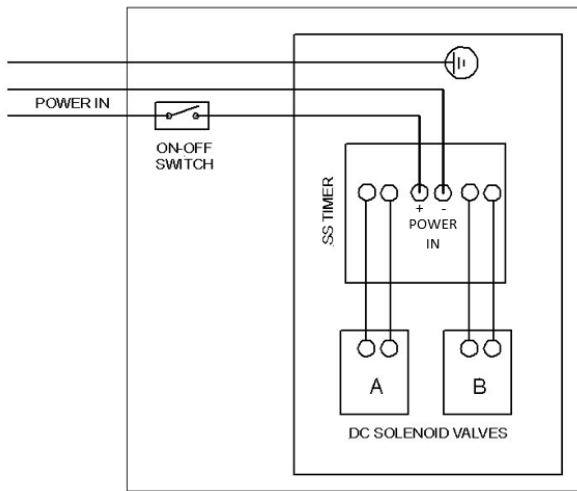
SECTION 8 - TROUBLESHOOTING GUIDE

| A PROBLEM: UNIT DELIVERS WET AIR OR HIGH CO₂ LEVELS | | | |
|---|---|---|---|
| | POSSIBLE CAUSE | CHECK | CORRECTIVE ACTION |
| A1 | High inlet air temperature. | For standard units, inlet air temperature should be 70-80°F. | Reduce inlet air temperature to proper level. An aftercooler may need to be installed after compressor. |
| A2 | Air flow through dryer in excess of rated capacity. | Make sure outlet flow does not exceed rated flow. See capacity chart in SPECIFICATIONS. | Reduce air usage downstream. |
| A3 | Low inlet pressure. | See capacity chart in SPECIFICATIONS. | Increase inlet pressure. |
| A4 | Dirty or obstructed inlet air filter. | Check inlet airline filter elements. | Replace elements. |
| A5 | Purge orifice plugged. | Check purge air flow with flowmeter. | Clean or replace purge orifices. |
| A6 | Solenoid coil burned out. | Check coil leads with ohmmeter. Open (burned out) coil will have no reading. | Replace valves. |
| A7 | Oil contamination of desiccant beds. | Verify particle/coalescing inlet filtration is adequate and functioning properly. | Towers must be replaced if contamination is suspected. |
| A8 | Timing cycle improper. | Verify correct timing cycle by listening to purge or by using voltmeter across coil connections on timer. | Replace timer if defective. |
| A9 | Purge flow restricted. | Check mufflers for excessive back-pressure. | Replace mufflers. |

| B PROBLEM: RESTRICTED FLOW THROUGH UNIT | | | |
|--|---------------------------------------|---|--------------------------|
| | POSSIBLE CAUSE | CHECK | CORRECTIVE ACTION |
| B1 | No power to unit. | On-Off switch and power supply. | Correct power problem. |
| B2 | Improper operating conditions. | See A2, A3 above. | |
| B3 | Dirty or obstructed inlet air filter. | See A4 above. | |
| B4 | Plugged air passages. | Check inlet and outlet air passages and piping for blockages. | Clear restrictions. |
| B5 | Inlet and outlet ports reversed. | Check inlet and outlet ports for proper connections. | Reconnect properly. |

| C PROBLEM: EXCESSIVE PURGE | | | |
|-----------------------------------|-----------------------------|--|-----------------------------------|
| | POSSIBLE CAUSE | CHECK | CORRECTIVE ACTION |
| C1 | Check valve not closing. | Check for damage or contamination of check valves. | Clean or replace as necessary. |
| C2 | Purge orifice(s) incorrect. | Measure purge flow with flow meter. | Install correct purge orifice(s). |

SECTION 9 - WIRING



CO2-PG28 WIRING DIAGRAM

SECTION 10 - WARRANTY

Altec AIR warrants the CO2-PG28 Purge Gas Generator to be free of defects in materials and workmanship under proper use, installation and application. This limited warranty shall cover parts or replacement unit only, for a period of 18 months from date of shipment or 12 months from date of installation, whichever comes first.

ALL FREIGHT DAMAGE CLAIMS ARE NOT THE RESPONSIBILITY OF THE MANUFACTURER AND ARE NOT COVERED UNDER WARRANTY AS ALL PRODUCTS ARE SHIPPED F.O.B. SHIPPER. PLEASE DIRECT ALL FREIGHT CLAIMS TO THE FREIGHT CARRIER IN QUESTION.

This warranty does not apply to any unit damaged by accident, modification, misuse, negligence, or misapplication.

Any covered CO2-PG28 Purge Gas Generator part or material found defective will be repaired, replaced or refunded, at Altec AIR' option, free of charge, provided that Altec AIR is notified within the above stated warranty period. All returns of defective parts/equipment must have prior written Returned Material Authorization (RMA). RMA may be obtained from our service department. All defective parts/equipment must be returned freight prepaid to the Altec AIR factory within 30 days of RMA issue date. Any shipment returned to the factory collect will be refused.

If an item is found to be warrantable, the repaired item or replacement will be shipped via standard ground freight prepaid within the continental US and Canada.

Any replacement part or material is warranted only to the extent of the remaining warranty period of the adsorber/dryer or to the extent as provided by the supplier, whichever is longer.

All freight damage claims should be filed within 15 working days and should be directed to the freight carrier.



WARNING:

This product can expose you to chemicals including Lead, which is known to the State of California to cause cancer/birth defects or other reproductive harm. For more information go to www.P65Warnings.ca.gov